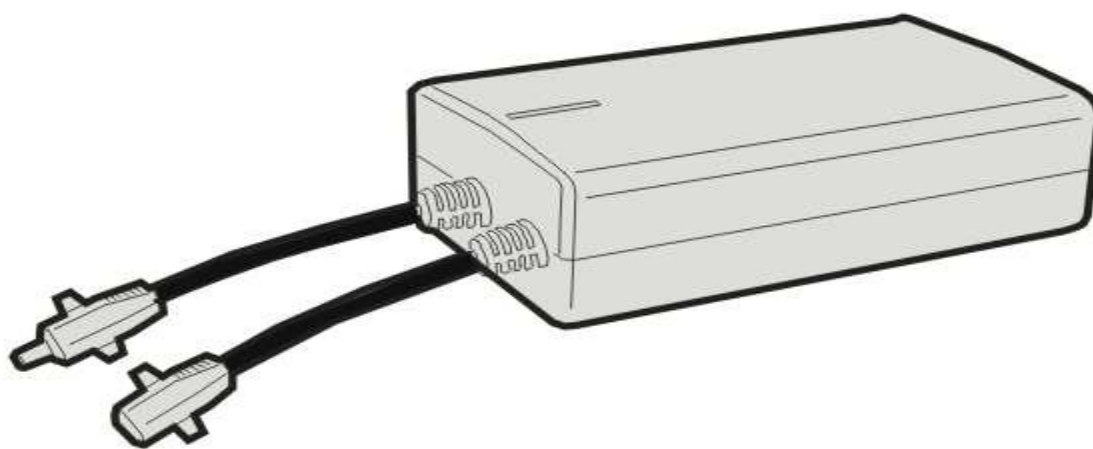




# Battery Pack Instruction Manual



## Contents

<b>1. Safety instructions</b>	
2	
<b>2. Features</b>	<b>3</b>
<b>3. Charging</b>	<b>4</b>
<b>4. Use</b>	<b>6</b>
<b>5. Maintenance</b>	
6	
<b>6. Specifications</b>	<b>7</b>
<b>7. Disposal</b>	<b>8</b>
<b>8. FAQ's</b>	<b>8</b>
<b>9. Physical Dimensions</b>	
9	

## Foreword:

Many thanks for having decided on a Flexsteel product and having placed your trust and confidence in us. The operating instructions contain important information on assembly, use, maintenance and troubleshooting

For further questions, please contact our customer service.

## 1. Safety Instructions

Please carefully read and follow the instructions to ensure the safe use of the Battery Pack. Failure to follow the instructions may cause injury. The use of this device with other than Flexsteel authorized devices, is NOT recommended, and may void the product warranty.

**\*\*\*\*\*KEEP OPERATING INSTRUCTIONS IN A SAFE PLACE.\*\*\*\*\***

**Carefully read these operating instructions prior to using the unit.**

- Ensure that every person involved in the use, connection or installation of the operating of the device has been sufficiently instructed and always has access to these operating instructions.
- Do not immerse the battery pack in water or other liquids at any time. For normal cleaning, wipe with a damp cloth. Do not store or operate the device in extreme high levels of moisture and humidity.
- During the operation, watch out for unusual noises and uneven functioning. Deactivate the system in the case of unusual occurrences.
- Battery packs should always be protected against high levels of humidity and splashing water.
- The battery pack must be kept away and protected from fire.
- Do not open or modify the battery pack. There are NO user serviceable parts in these units.
- Protect the battery pack against severe power surges or mechanical loads. Do not operate the battery pack in the case of visible damage to the housing or cable.
- Children should not use the battery pack. Both during storage and operation ensure that the the battery pack is not accessible to children.
- Damaged cables or devices may be replaced or repaired only by the manufacturer or qualified persons.

- The battery pack may only be charged and/or operated with Flexsteel approved components. The use of the battery pack with other chargers or components not approved and/or supplied by Flexsteel is prohibited and may result in personal injury or property damage.
- Do not store the battery pack in locations in which the temperature may rise to  $\geq 50^{\circ}\text{C}$  ( $122^{\circ}\text{F}$ ) (e.g., vehicle interior at high outside temperatures, etc.).
- The battery pack may be charged only at an ambient temperature ranging from  $0^{\circ}\text{C}$  ( $32^{\circ}\text{F}$ ) to  $40^{\circ}\text{C}$  ( $104^{\circ}\text{F}$ ).
- Do not cover the battery pack while charging.

## 2. Battery Pack Features

The battery pack consists of 24V / 2.3Ah lithium-Ion rechargeable batteries.

The battery pack can provide up to 150 complete cycles (upright/recline/upright) with load of 80kg (175 lbs.). Number of cycles will decrease or increase depending on load.

### LED Indicator

#### **Red LED:**

FLASHING red LED indicates charging.

#### **Green LED:**

SOLID green LED means the battery pack is fully charged (8 hours). Green light goes out when Battery pack is plugged into chair, or is in standby mode.

### Audible Warning (Beeping)

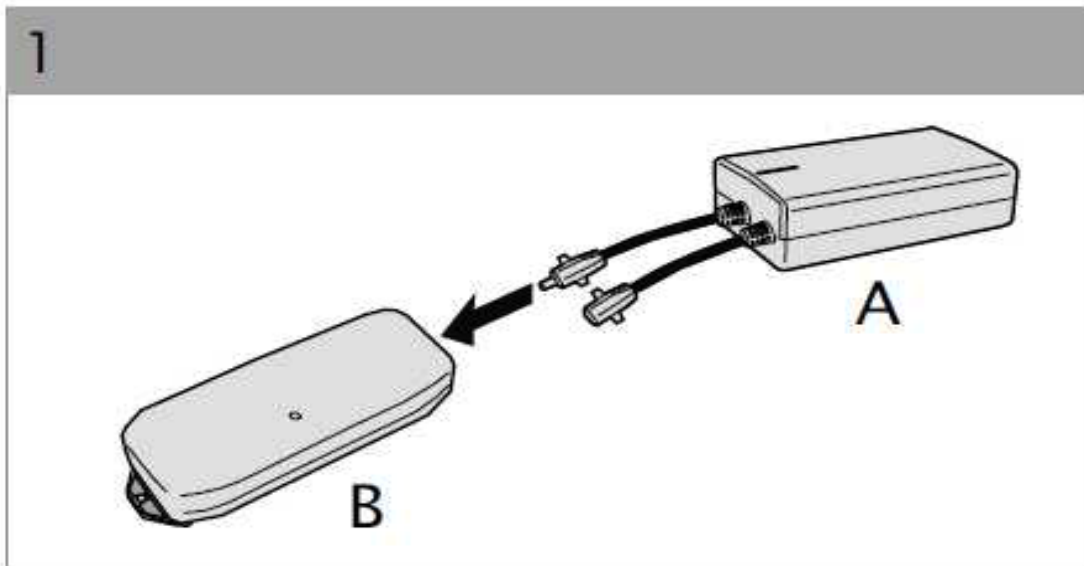
The beeping signal warns the user that the charge is VERY LOW and the battery pack must be charged.

### 3. Charging

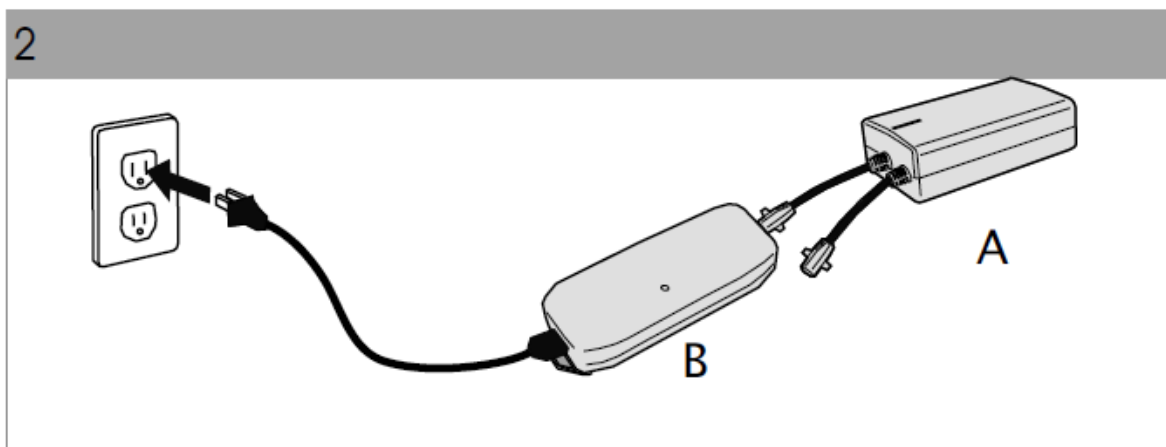
**\*\*\*\*\*IMPORTANT!\*\*\*\*\***

**PRIOR TO INITIAL USE, FULLY CHARGE THE BATTERY PACK FOR 8 HOURS.**

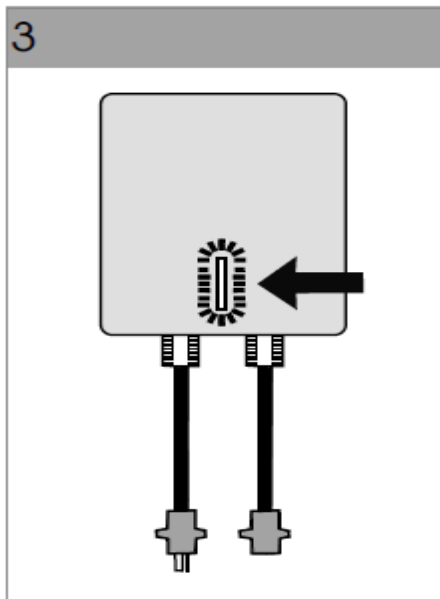
1. Connect the battery pack (A) to the transformer (B) (supplied with furniture).



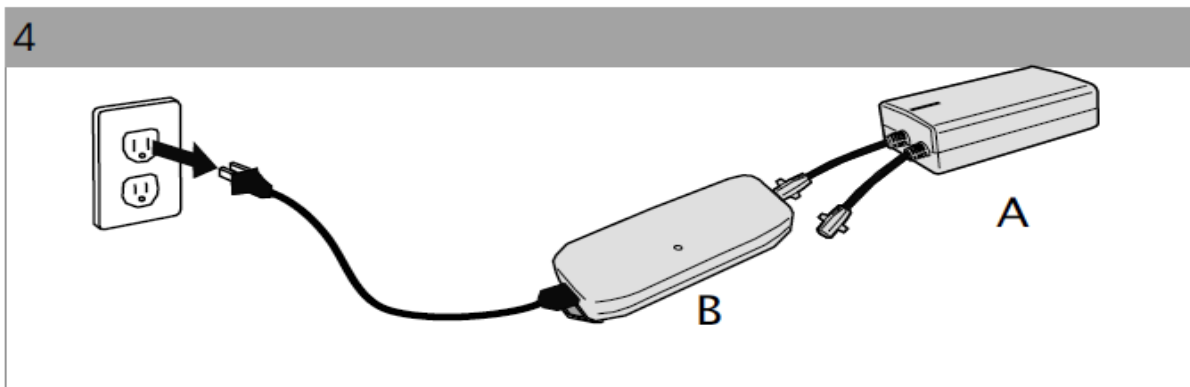
2. Plug transformer (B) with battery pack (A) into 120V outlet.



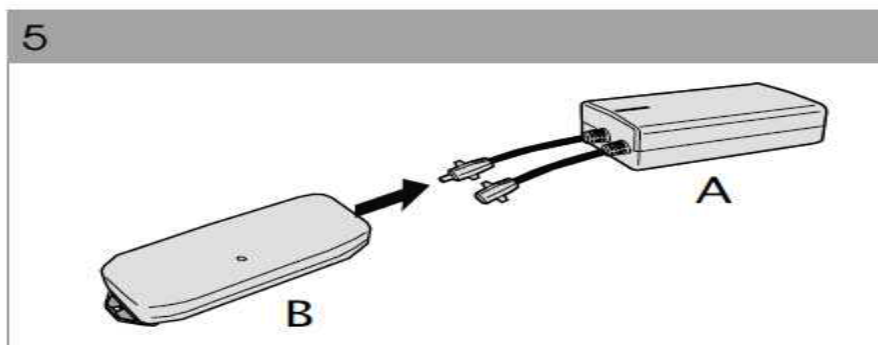
3. **LED FLASHES RED** when charging. **SOLID GREEN LED** indicates fully charged.



4. To disconnect from charging, first unplug the transformer (B) from 120V outlet.

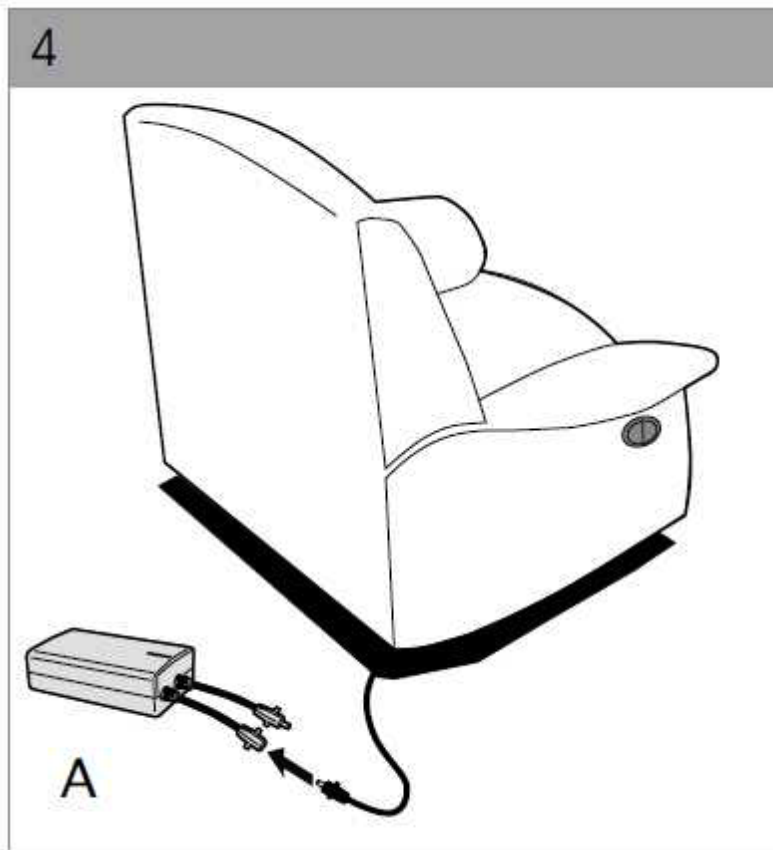


5. Then disconnect the battery pack (A) from the transformer (B)



## 4. Use

1. Plug the battery pack (A) into the power recline cable coming out of the rear of the furniture.



**\*\*\*\*\*IMPORTANT!\*\*\*\*\***

**DO NOT DRAIN BATTERY COMPLETELY. IF BATTERY IS ALLOWED TO BECOME COMPLETELY DRAINED, IT MAY BECOME DIFFICULT TO RECHARGE.**

## 5. Maintenance

Do the following at regular intervals for the housing, cables, and connector of the battery pack:

- Remove dust and dirt with slightly damp cloth.
- Every six months, make visual inspection by checking for damage and wear.
- Ensure all wires are firmly connected.
- The battery pack contains must never be fully-drained. For this reason, the battery pack, when unused, should always remain connected to the transformer to ensure full capacity.

## 6. Specifications

Item	Description
Nominal capacity (average)	2300mAH
Minimum capacity	1800mAH
Rated Voltage	25,2V
Cycle capacity	80% residual capacity after 300 cycles
Input charge voltage	24V-32VDC
Cell-end voltage	The lowest unit cell voltage less than 2.6V
Maximum output current	<5A DC
Output cut-off current	10A
Acoustic signal at	$\leq 23V$
Dimensions	150mm(L) X 90mm(W) X 40mm(H)
LED Display when charging	Red flash: the battery pack is being charged
LED Display when charged	Green solid: the battery pack is fully charged.
Weight	550g
Feature	Single-cell protect circuit

## 7. Disposal

Upon discontinued use, this product must be disposed of as electronic waste in accordance with the disposal regulation of your district / country / state. Do not dispose of in fire.

## 8. FAQ's/Troubleshooting

**Q:** How often should I charge the battery pack?

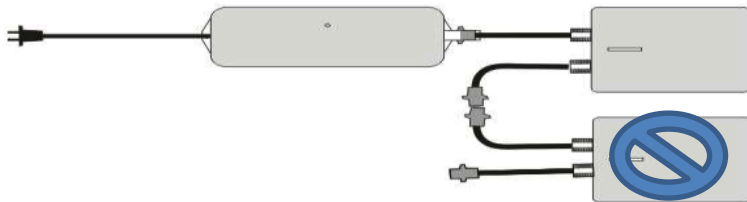
**A:** The batteries should be recharged after 150 cycles or every two weeks. Recharge for a minimum of 8 hours.

**Q:** Where should I position the battery pack while it is plugged in to the furniture?

**A:** The battery pack should be positioned 1' behind the furniture. Ensure that the battery pack does not interfere with the furniture recline movement, and that all cables are neatly secured so as to not get pinched in the mechanism. Allow sufficient cable to prevent the battery pack from being 'dragged' across the floor during the recline cycle (this can cause the Battery pack to become disconnected).

**Q:** Can I charge more than one battery pack at a time off of one Transformer?

**A:** No, only charge one battery pack per transformer.



**Q:** Can I use the battery pack (leave it plugged in, and operate the furniture) while charging?

**A:** Yes.

**Q:** What happens if battery pack completely discharges in mid recline cycle?

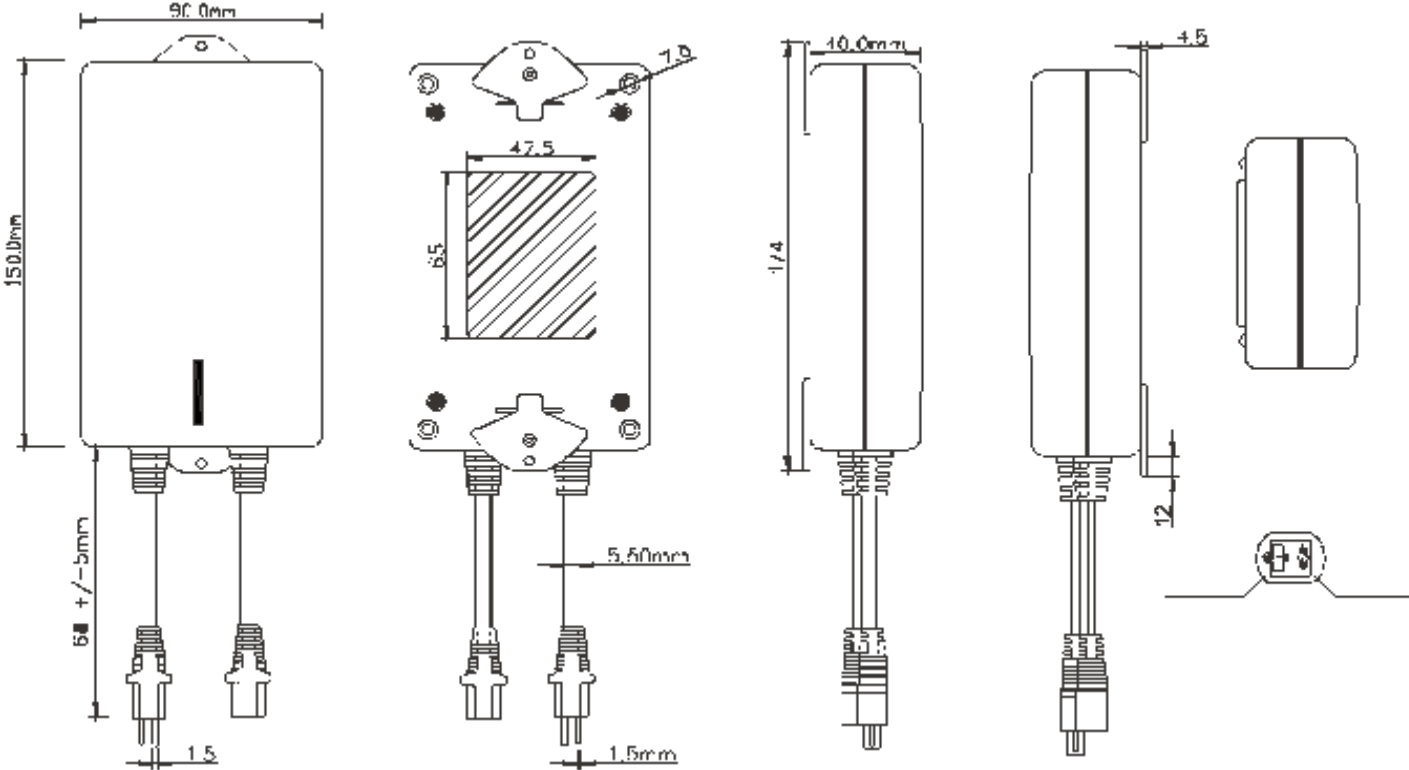
**A:** You can use the Transformer to bring the furniture back to upright state.

**Q:** My furniture will not be used for an extended period of time (over one month). What should I do with the battery pack?

**A:** The battery pack, when unused, should always remain connected to the transformer to ensure full capacity.



# 9. Physical Dimensions:



**Thank you for choosing and using the Flexsteel Battery Pack with your fine furniture. We stand behind our product. For additional information feel free to contact us at: Flexsteel — [www.flexsteel.com](http://www.flexsteel.com)**